

1

2

3

4

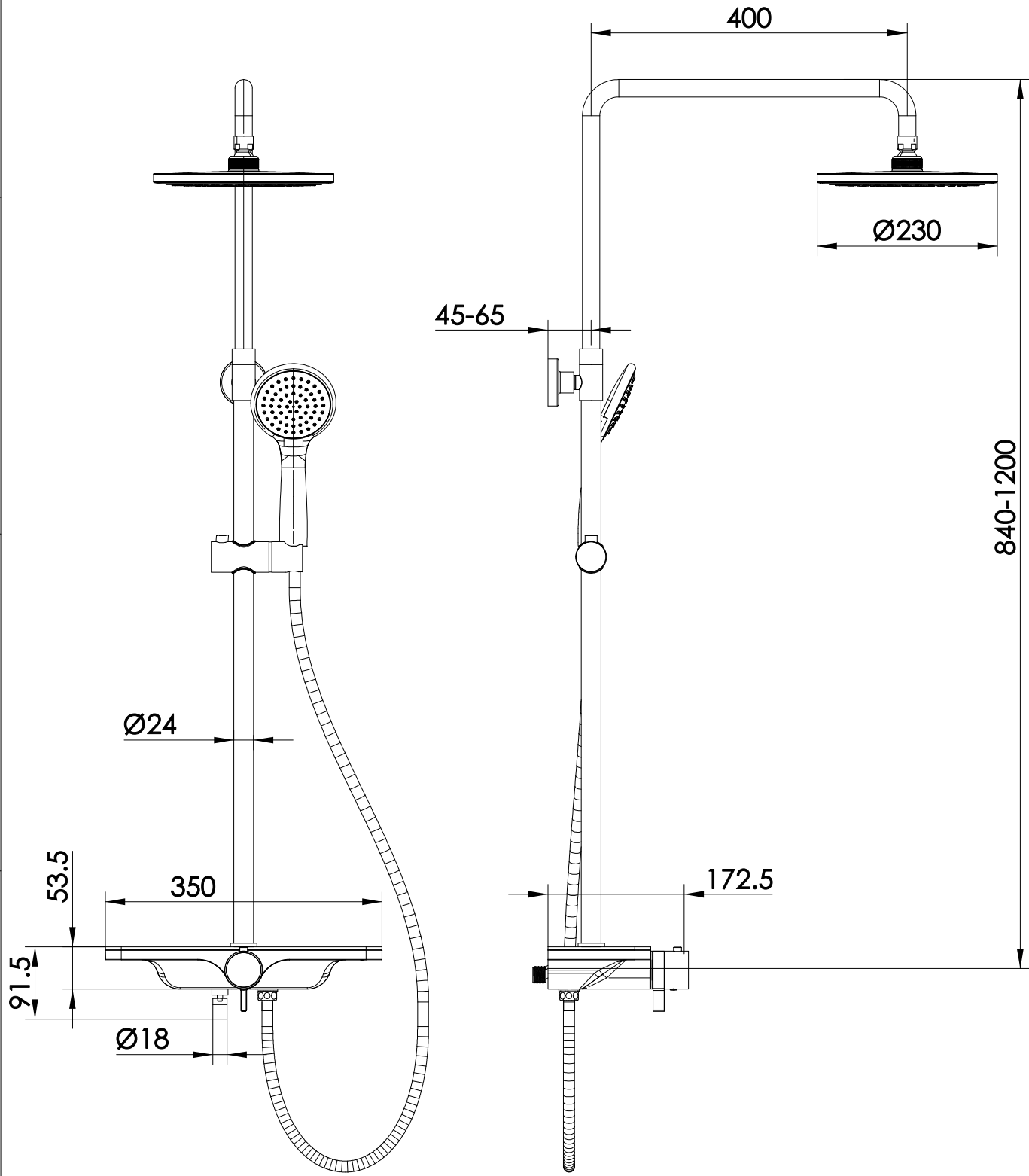
B

A

C

D

E



GLLON 健龍 ZHEJIANG JIANLONG SANITARY CO., LTD.  
SINCE 1983

NO.	QTY	Description	Signature	Date
DESIGN				Version
CHECK				1.0
APPROVE				

DIMENSIONAL DRAWING

SIZE A4	DRAWING No.	PRODUCT No.
SCALE		SF3030

1

2

3

4