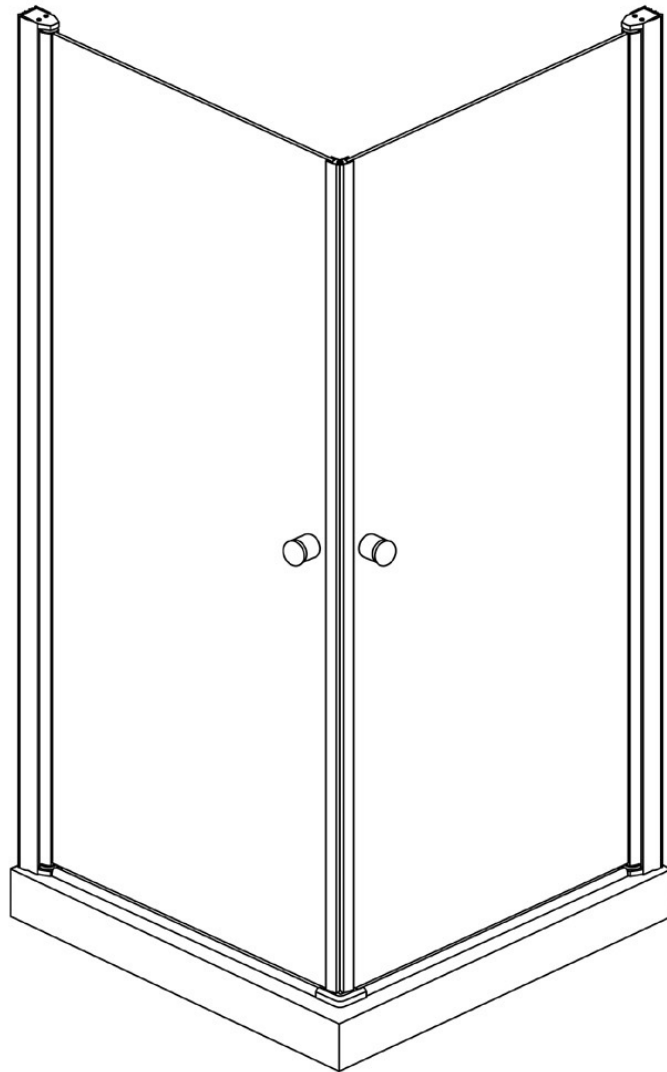


## INSTALLATION INSTRUCTIONS

### N1280 / N1290



Size: 800x800x1950mm  
900x900x1950mm



Sanotechnik  
Handelsgesellschaft m.b.H.  
Industriestraße 5  
A-2752 Wöllersdorf  
Tel.: 0043/2622/421 93-0  
Fax: 0043/2622/421 93-6

Email: [office@sanotechnik.at](mailto:office@sanotechnik.at)  
[www.sanotechnik.com](http://www.sanotechnik.com)



Sanotechnik RUMÄNIEN S.R.L  
ROMANIA  
Tancabesti, DN 1, KM 26,5  
Com. Snagov, jud. Ilfov  
Tel.: +40 21 350 13 43  
Fax: +40 21 350 13 44

[office@sanotechnik.ro](mailto:office@sanotechnik.ro)  
[www.sanotechnik.com](http://www.sanotechnik.com)



SANOTECHNIK d.o.o  
SLOVENIA  
Stritarjeva ulica 24  
SI-2000 Maribor  
Tel.: +386 2/421 33 50  
Fax: +386 2/421 33 58

[info@sanotechnik.si](mailto:info@sanotechnik.si)  
[www.sanotechnik.com](http://www.sanotechnik.com)



SANOTECHNIK Hungária Kft.  
HUNGARY  
Nagytétényi út 112  
H-1222 Budapest  
Tel.: +36 1/424 06 70  
Fax: +36 1/424 06 79

[info@sanotechnik.hu](mailto:info@sanotechnik.hu)  
[www.sanotechnik.com](http://www.sanotechnik.com)



SANOTECHNIK Maurod s.r.o.  
SLOWAKIA+CZECHIA  
Sládkovičova 69  
SK-953 01 Zlaté Moravce  
Tel.: +421/376 426 245  
Fax: +421/376 426 246

[maurod@maurod.sk](mailto:maurod@maurod.sk)  
[www.sanotechnik.com](http://www.sanotechnik.com)



FORMATIC Ltd.  
BULGARIA  
3, Georgi Benev St.  
BG-4003 Plovdiv  
P.O. BOX 85  
Tel.: +359 32/9611 01  
Fax: +359 32/9611 02  
[dimana.pappas@mail.com](mailto:dimana.pappas@mail.com)

## General Information

Please inspect the product immediately upon receipt for transit damage, missing packs/parts or manufacturing fault. Damage reported later cannot be accepted. Please handle the product with care avoiding knocks and shock loading to all sides and edges of the glass

### Notes : Safety glass can not be re-worked.

Please read these instructions carefully before start of installation.

Special care should be taken when drilling walls to avoid hidden pipes or electrical cables.

Note : this product is heavy and may require two people to install.

## Aftercare instructions

After use, your shower should be cleaned with soap and water. This is particularly important in hard water districts where insoluble lime salts may be deposited and allowed to build up.

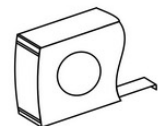
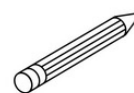
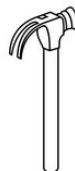
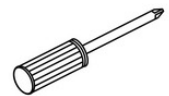
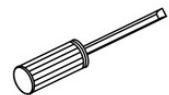
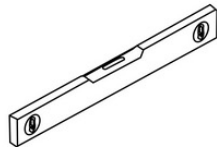
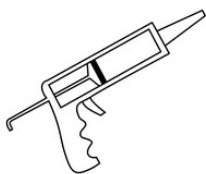
Cleaners of gritty or abrasive nature should be used. Care should be taken to avoid contact with strong chemicals such as organic solvents and strippers.

Glass cleaners can be used but with caution, if in doubt contact the manufacturer of the cleaner in question.

Please keep these instructions for aftercare and customer services details.

---


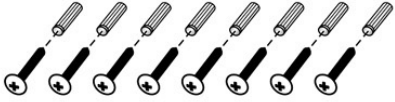
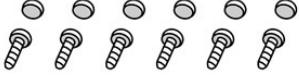





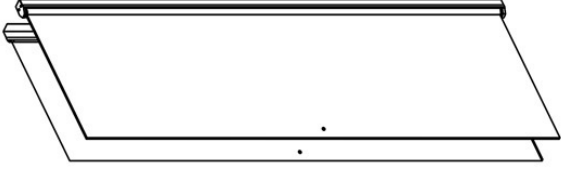
## Tools required



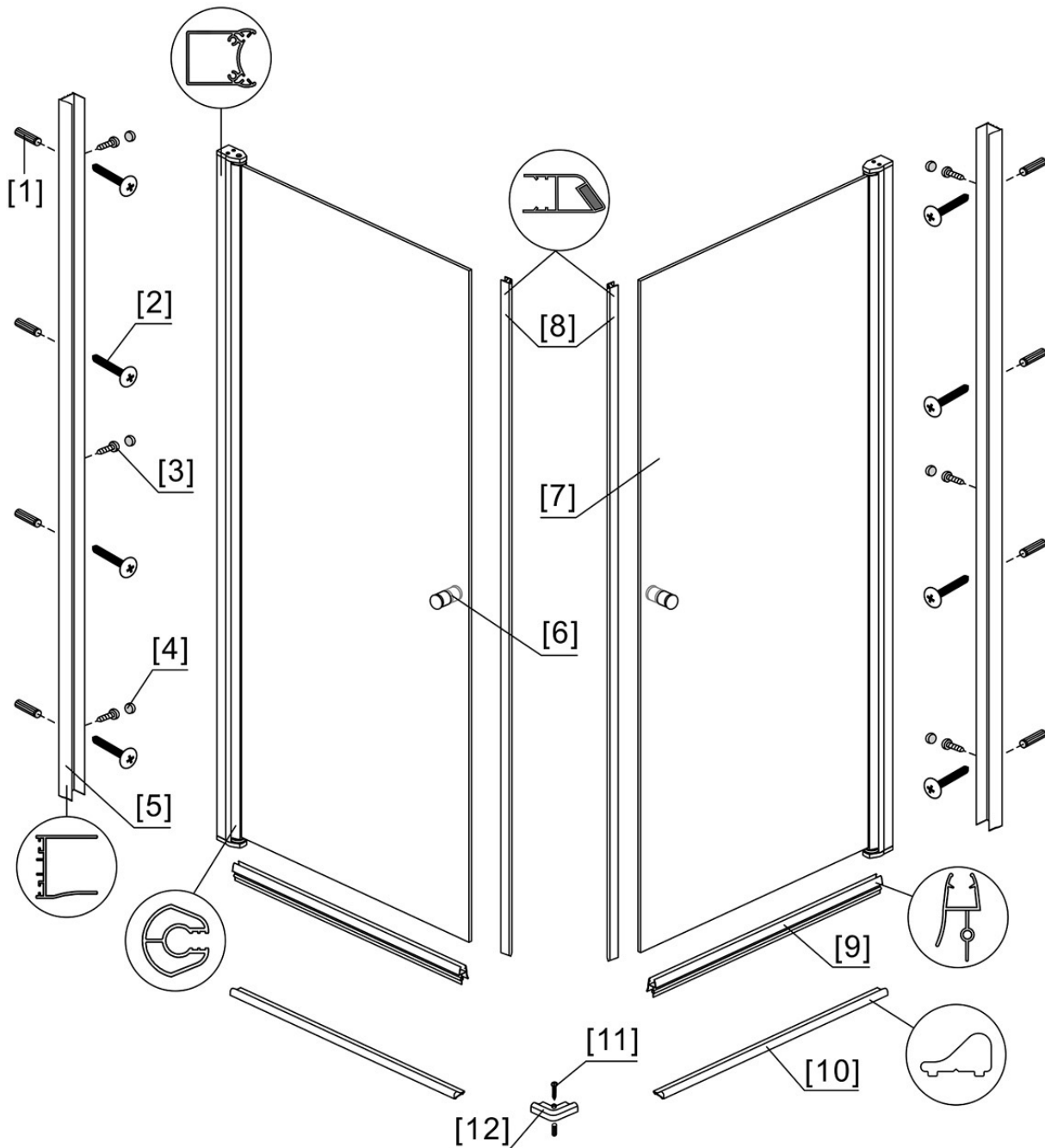
**This product is heavy and may require two people to install.**



◆ **Box contents**

(1) Installation instruction	➔	
(2) 8 x wall plugs 8 x flat screw M4x35	➔	
(3) 6 x screws M4x8 6 x screw cover caps	➔	
(4) 2 x handle sets	➔	
(5) 2 x wall posts	➔	
(6) 2 x magnetic seals	➔	
(7) 2 x aluminum seal 1 x clip 1 x wall plug 1 x screw M4x25	➔	
(8) 2 x water deflectors	➔	
(9) 2 x door panels	➔	

◆ Assembly drawing

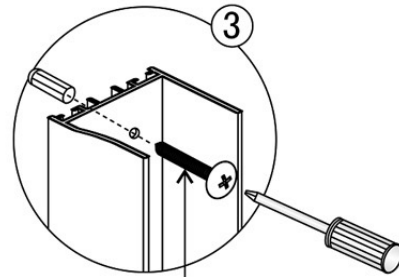
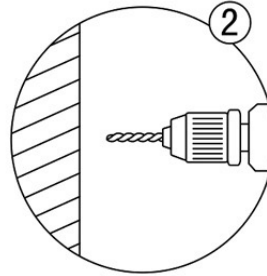
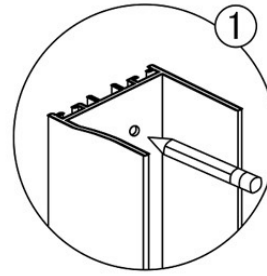
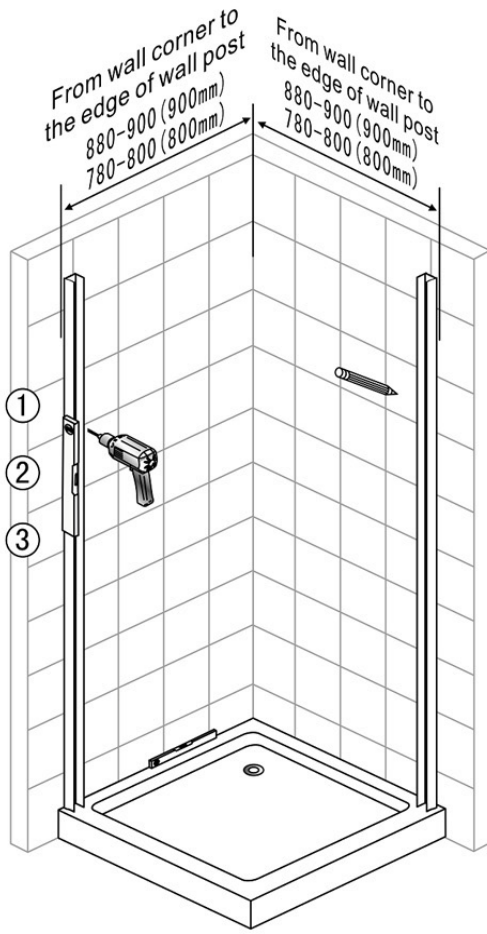


- (1) 8 x wall plugs
- (2) 8 x flat screws M4x35
- (3) 6 x screw M4x8
- (4) 6 x screw cover caps
- (5) 2 x wall posts
- (6) 2 x handle sets

- (7) 1 x aluminum seal
- (8) 2 x water deflectors
- (9) 2 x door panels
- (10) 2 x aluminum seals
- (11) 1 x screw M4x25
- (12) 1 x clip

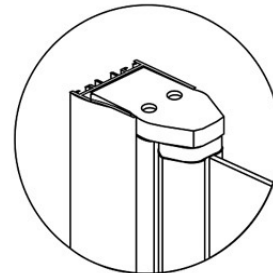
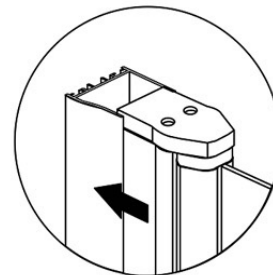
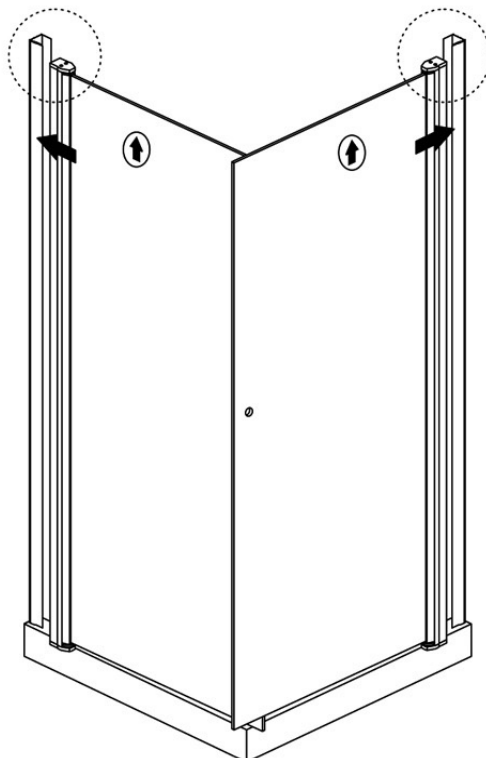
# ◆ Installation steps

## Step 1

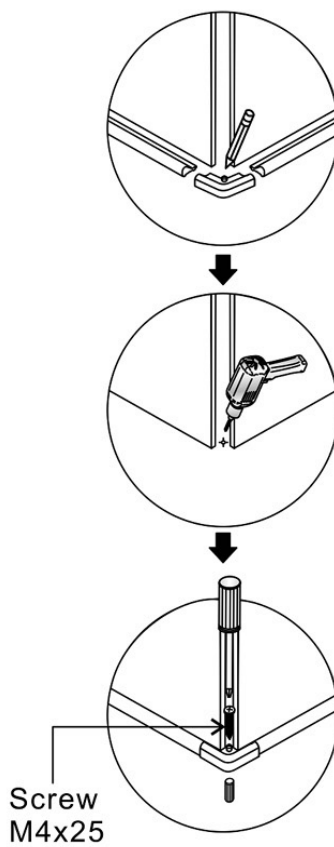
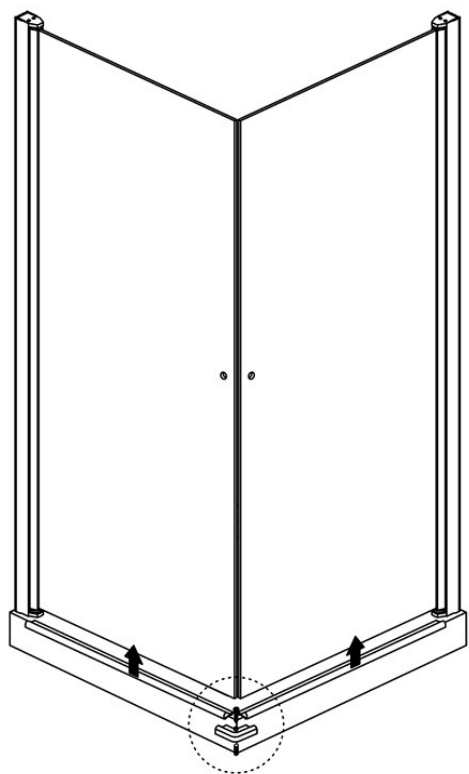


Flat screw M4x35

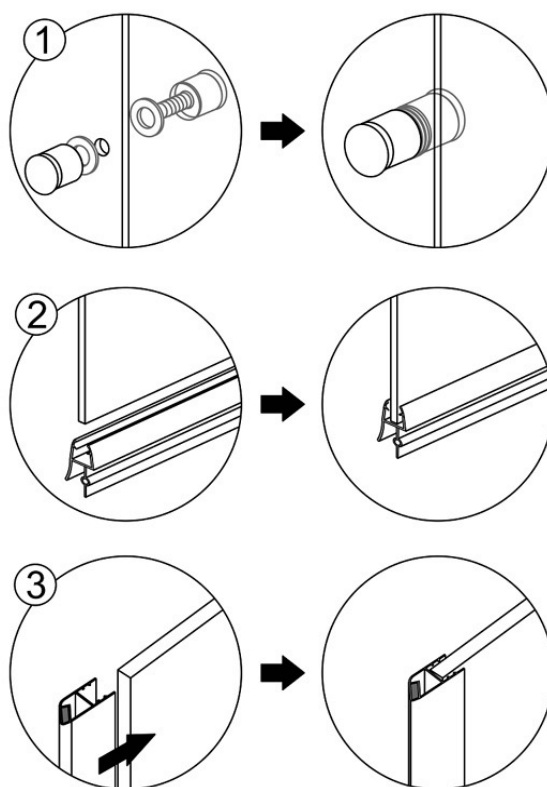
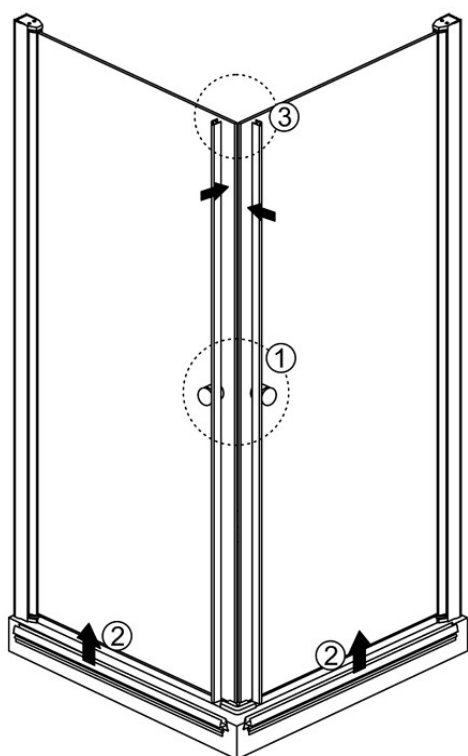
## Step 2



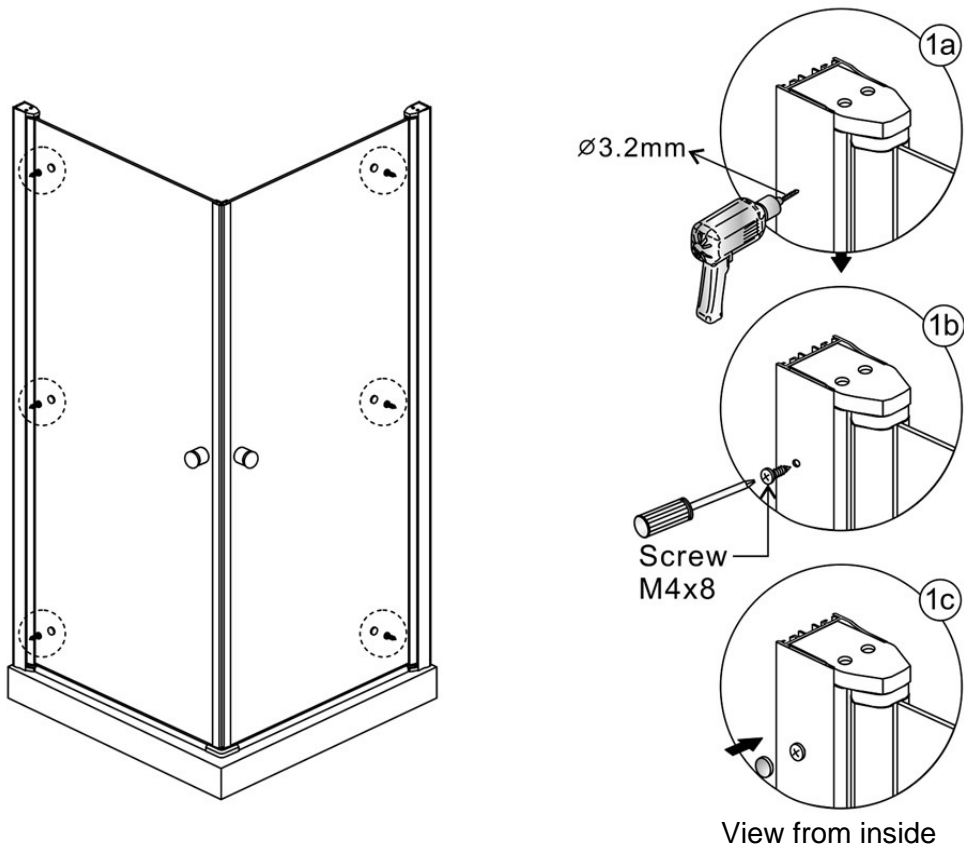
### Step 3



### Step 4



## Step 5



## Step 6

