



HANGING HORSE 2PCS



BIG SCREW 4X30-4PCS



PLASTIC GASKET -4PCS



MOUNTER ACCESSARY-2PCS



BIG SCREW CAP -12PCS



BIG SCREW 4X30-12PCS



BRACKET 2PCS



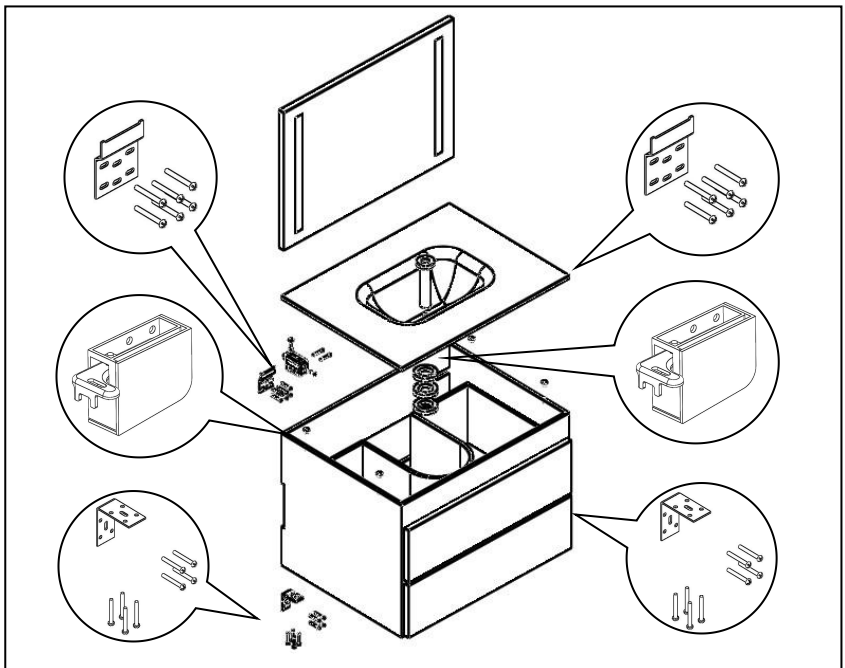
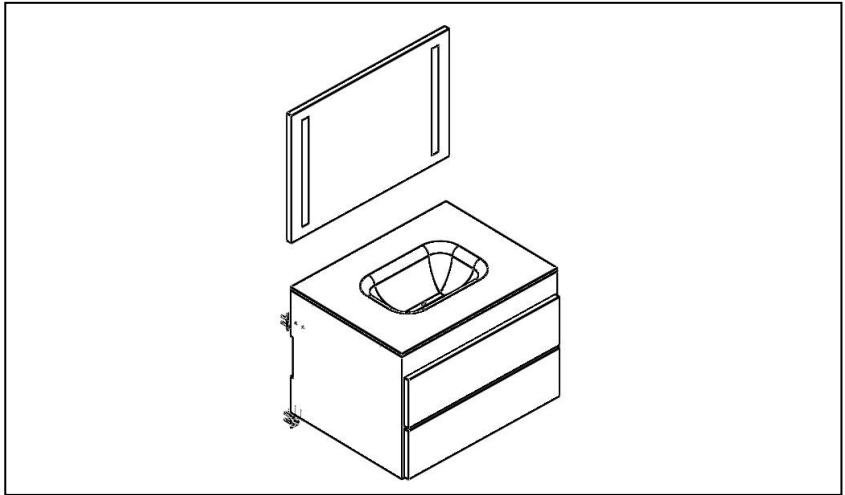
**SMALL SCREW CAP 8PCS
FOR BRACKET**



**SMALL SCREW
FOR BRACKET 4X25-8PCS**




**SMALLER SCREW
FOR FURNITURE 4x14-8PCS**



Sanotechnik Handelsgesellschaft m.b.H.
 Industriestraße 5
 A-2752 Wöllersdorf
 Tel.: 0043/2622/421 93-0
 Fax. 0043/2622/421 93-6
 Email: office@sanotechnik.at
www.sanotechnik.com


SANOTECHNIK
 Handelsgesellschaft m.b.H.
 Industriestraße 5
 A- 2752 Wöllersdorf

Tel: +43 2622 / 42 193 – 0
 Fax: +43 2622/ 42 193 – 6
office@sanotechnik.at
www.sanotechnik.com


Sanotechnik Bulgaria Ltd.
BULGARIA
 3, Georgi Benev St.
 BG-4003 Plovdiv

Tel: +359 32 961101
 Fax: +359 32 961102
office@sanotechnik.bg
www.sanotechnik.com


SANOTECHNIK Hungária Kft.
MAGYARORSZÁG
 Nagytétényi út 112
 H-1222 BUDAPEST

Tel: +361 424 06 70
 Fax: +361 424 06 79
info@sanotechnik.hu
www.sanotechnik.com


SC Sanotechnik COM Rumänien S.R.L
ROMANIA
 Tancabesti, DN 1, KM 26,5
 Com. Snagov, jud. Ilfov

Tel: +40 21 350 13 43
 Fax: +40 21 350 13 44
office@sanotechnik.ro
www.sanotechnik.com


SANOTECHNIK d.o.o.
SLOVENIJA
 Stritarjevca ulica 24
 SI-2000 MARIBOR

Tel: +3862 / 42 13350
 Fax: +3862 / 42 133 58
info@sanotechnik.si
www.sanotechnik.com